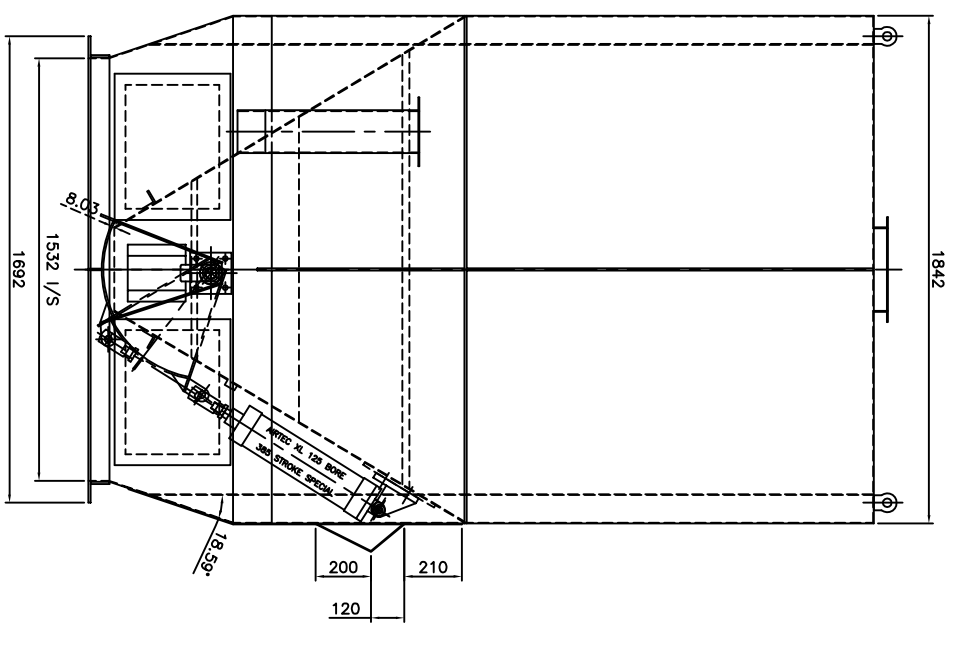


AIR SET AND SOLENOID VALVE WITH TERMINAL BOX

1" BSP SOCKET FOR CLIENTS LEVEL PROBE

GATE POSITION SWITCHES



AIR CONSUMPTION : 250LTR FREE AIR AT 5 BAR

ASSEMBLED WEIGHT OF MACHINE APPROXIMATELY 1200KG

T.A.SHORE CO.LTD. COPYRIGHT ©2000 USERS INSTALLATION RESPONSIBILITIES

REV	DATE	NAME	TITLE	SCALE
0	05/05	RJB	GA OF 6000 LTR DUMP HOPPER	1:20
T.A.SHORE Co Ltd			UNIVERSAL MILLING	
T.A.SHORE Co.Ltd.			NOTTINGHAM ENGLAND	
DRG. No. M3-4991-001				SHEET 01

THIS DRAWING AND COPIES OF IT ARE THE PROPERTY OF T.A.SHORE AND MUST NOT BE COPIED OR CIRCULATED TO THIRD PARTIES WITHOUT THE WRITTEN CONSENT OF T.A.SHORE CO. LTD.

MACHINES TO BE PLACED ON NON-IMPURE SUPPORTS WITH ALLOWABLE VIBRATION  
 ALLOWABLE RESONANCE TEMPERATURE: +5 DEGREES C TO +40 DEGREES C  
 ALLOWABLE STORAGE TEMPERATURE: -25 DEGREES C TO +40 DEGREES C  
 MACHINES ARE NOT TO BE EXPOSED TO WATER, RAIN, SNOW OR AIR MOVEMENT, ALSO VACUUM & PRESSURE.  
 MACHINES MUST BE PROTECTED FROM EXCESSIVE HEAT AND DUST.  
 ELECTRIC SUPPLY SHOULD BE NON-FLUORESCENT WITHOUT SPARKS, SWITCHES OR TRANSFORMERS, AND ALL LEADS & CONNECTORS ON SWIRES EXPOSED TO THE ENVIRONMENT SHOULD BE PROTECTED BY THE EQUIPMENT MANUFACTURER.  
 ELECTRIC SUPPLY SHOULD BE CHECKED AND APPROVED BY THE EQUIPMENT MANUFACTURER BEFORE COMPLETION OF THE WORK.  
 THE EQUIPMENT MUST BE PROTECTED FROM OVERHEATING AND OVERCOURTAGE.  
 VOLTAGE OF CHANGE OF AMBIENT TEMPERATURES SHOULD NOT EXCEED 10 DEGREES C PER HOUR.  
 MACHINES MUST BE PROTECTED FROM EXCESSIVE VIBRATION.  
 LEADS AND SWIRES CARRYING AIR SHOULD BE CLEAN, DRY, WELL LUBRICATED WITH A FILTER (MAX. PRESSURE FALLING 20 WORKING).  
 AIR SUPPLY MUST BE CLEAN, DRY, WELL LUBRICATED WITH A FILTER (MAX. PRESSURE FALLING 20 WORKING).  
 OR MATERIALS BEING WELDED FROM REACHING THE EQUIPMENT OR MATERIALS.